

Part Number: PT908-48184

Kit Contents

Item #	Quantity Reqd.	Description
1	1	Cargo Tray
2	1	Seat Back Cover – Driver Side
3	1	Seat Back Cover – Pass. Side

Hardware Bag Contents

Item #	Quantity Reqd.	Description
1		
2		
3		

Additional Items Required For Installation

Item #	Quantity Reqd.	Description
1		
2		
3		

Conflicts

None

Recommended Tools

Personal & Vehicle Protection	Notes
Cover or Blanket	
Special Tools	Notes
Installation Tools	Notes
Special Chemicals	Notes

General Applicability

Vehicle with 3rd row passenger seating
--

Recommended Sequence of Application







Item #	Accessory
1	Cargo Tray
2	Cargo Net
3	

*Mandatory

Vehicle Service Parts (may be required for reassembly)

Item #	Quantity Reqd.	Description
1		
2		
3		

Legend

	STOP: Damage to the vehicle may occur. Do not proceed until process has been complied with.
	OPERATOR SAFETY: Use caution to avoid risk of injury.
	CAUTION: A process that must be carefully observed in order to reduce the risk of damage to the accessory/vehicle and to ensure a quality installation.
	TOOLS & EQUIPMENT: Used in Figures calls out the specific tools and equipment recommended for this process.
	REVISION MARK: This mark highlights a change in installation with respect to previous issue.
	SAFETY TORQUE: This mark indicates that torque is related to safety.

Care must be taken when installing this accessory to ensure damage does not occur to the vehicle. The installation of this accessory should follow approved guidelines to ensure a quality installation.

These guidelines can be found in the "Accessory Installation Practices" document.

This document covers such items as:-

- Vehicle Protection (use of covers and blankets, cleaning chemicals, etc.).
- Safety (eye protection, rechecking torque procedure, etc.).
- Vehicle Disassembly/Reassembly (panel removal, part storage, etc.).
- Electrical Component Disassembly/Reassembly (battery disconnection, connector removal, etc.).

Please see your Lexus dealer for a copy of this document.

1. Prepare the Vehicle.

- (a) Open the package and check the components for damage and kit contents, including the adapter pads attached to the seat back covers.
- (b) Open the rear hatch door and remove any stored items and debris from the cargo area (Fig. 1-1).
- (c) Place the vehicle protection over the rear bumper.
- (d) Open both the rear driver and rear passenger doors and lower the seat backs down.

2. Install the Seat Back Covers.

- (a) Before removing the white covers from the adapter pads, use the tie down opening to perform the initial alignment of the driver side seat back cover (Fig. 2-1).
- (b) Complete the final alignment by checking for equal spacing along the inboard seat edge. Adjust if needed.

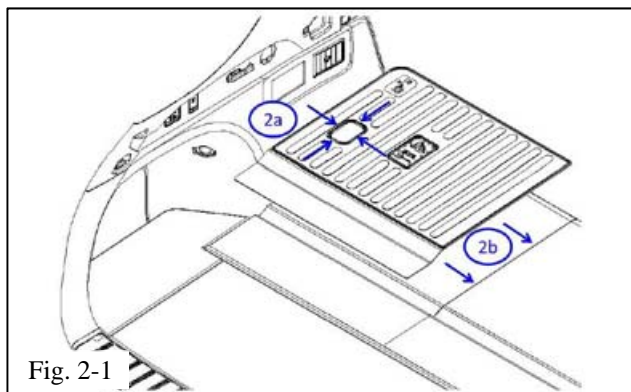
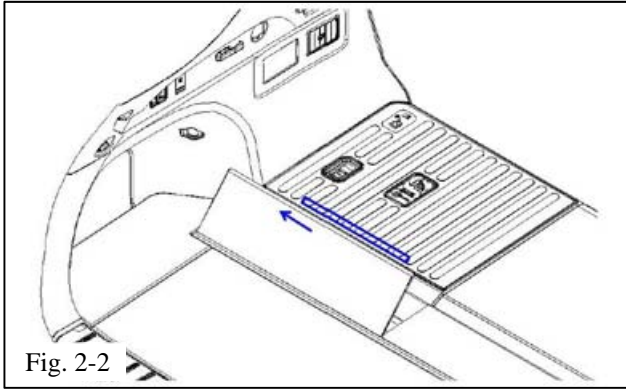
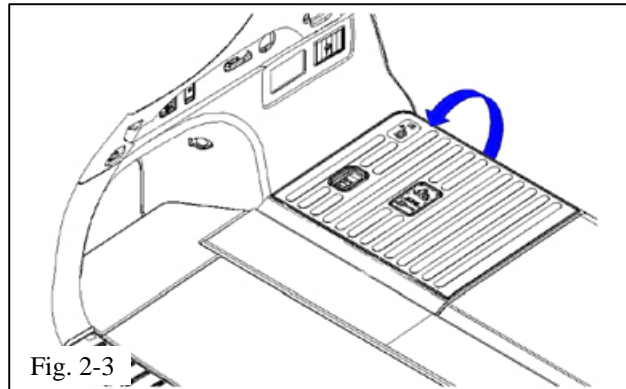


Fig. 2-1



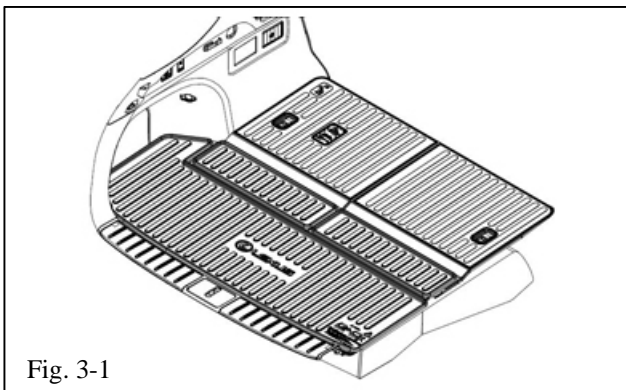
- (c) Push or pull the hinged panel rearward to place the seat back cover's smooth flap on the fabric underneath it. Press down firmly on the highlighted bottom edge of the cover to secure the hook fastener to the seat (Fig. 2-2).



- (d) Grasp the front edge of the seat back cover and slowly bend the cover up and rearward to reveal the adapter pads (Fig. 2-3).
- (e) Remove the white cover from the 8 pads and slowly lower the cover down onto the seat back.
- (f) Firmly push down on the cover over the adapter pad locations to ensure attachment.
- (g) Repeat steps 2(a) through 2(d) on the passenger side.

⚠ NOTE: There are 8 adapter pads on the passenger side.

3. Install the Cargo Tray.



- (a) Place the cargo tray in the cargo area with the logo towards the rear of the vehicle and facing up (Fig. 3-1).
- (b) After installing the tray, ensure all the edges are pushed down against the floor.

Checklist - these points **MUST** be checked to ensure a quality installation.

<u>Check:</u>	<u>Look For:</u>
<p><u>Accessory Function Checks</u></p> <ul style="list-style-type: none"><input type="checkbox"/> Correct part number has been installed.<input type="checkbox"/><input type="checkbox"/>	<p>Verify part number on the package.</p>
<p><u>Vehicle Function Checks</u></p> <ul style="list-style-type: none"><input type="checkbox"/> Third row seat folding function	<p>Raise and lower the third-row seat backs to ensure the seat back covers do not hinder the movement of the seat backs from the down to up position.</p>
<p><u>Vehicle Appearance Check</u></p> <ul style="list-style-type: none"><input type="checkbox"/> After accessory installation and removal of protective cover(s), perform a visual inspection.	<p>Ensure no damage (including scuffs and scratches) was caused during the installation process.</p> <p>(For PPO installations, refer to TMS Accessory Quality Shipping Standard.)</p>